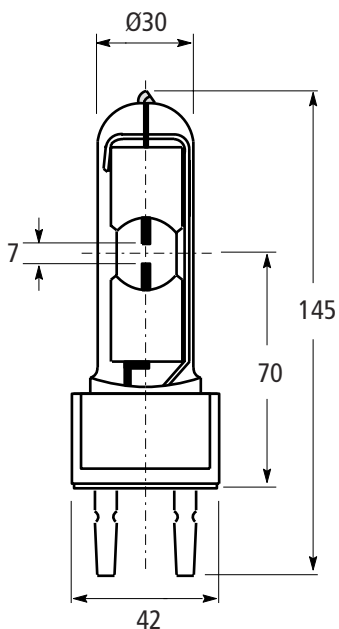


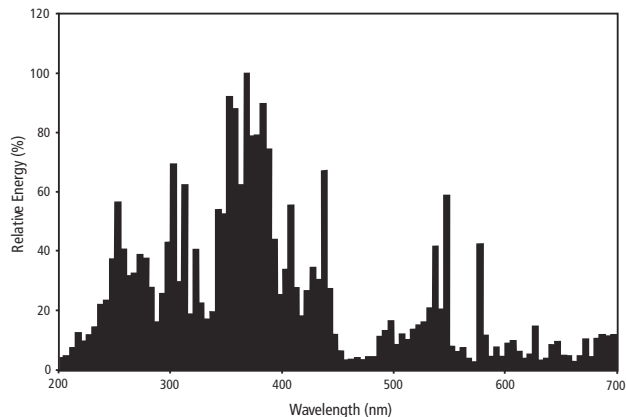
IronArc® 600W Metal Halide UV Lamp

LMP-600S



All dimensions are in millimeters

Spectral Distribution



Characteristics

Operating Voltage	95V
Wattage	575W
Current	6.05A
Ignition Voltage	25kV
Spectral Range	300-450nm
UV-A Output (315-400nm)	65W
UV-B Output (280-315nm)	N/A
Average Life*	1000h
Operating Position	Universal
Bulb Temperature	750/950 °C min/max
Seal Temperature	350 °C (max)
Base	G22

Note:

* Lamp life is strongly affected by the number of starts, operating time per start, operation wattage and the ambient temperature of the lamp

Attention: This lamp generates UV-radiation. Read the safety instructions packed with the lamp carefully. Exposure to unfiltered output can be harmful to eyes and skin. This lamp must be used with suitable operating equipment and in accordance with specified data. Due to the high operating pressure inside the lamp, the possibility exists that in extreme circumstances the lamp might shatter. This lamp should not be operated with a broken or damaged outer envelope

Specifications subject to change without notice or obligation