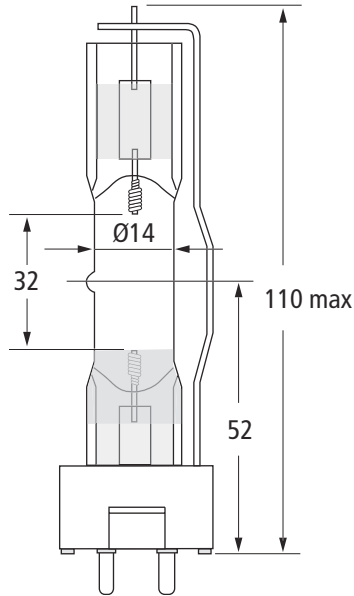
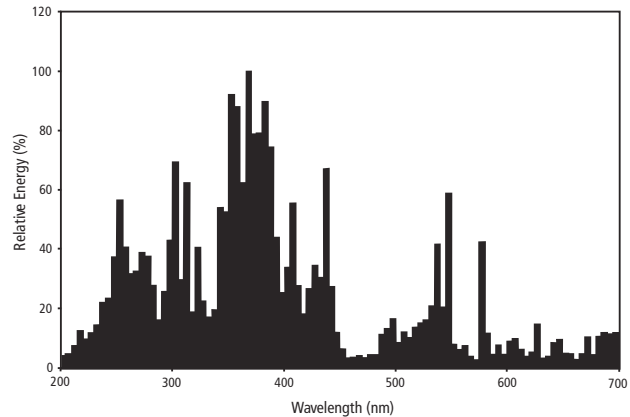


IronArc® 400W Metal Halide UV Lamp

LMP-400S2



Spectral Distribution



All dimensions are in millimeters

Characteristics

Operating Voltage	230V
Wattage	250-500W
Current	4.0A
Ignition Voltage	3.5kV
Spectral Range	300-450nm
UV-A Output (315-400nm)	N/A
UV-B Output (280-315nm)	N/A
Average Life*	1000h
Operating Position	Horizontal ± 30°
Bulb Temperature	750/950 °C min/max
Seal Temperature	350 °C (max)
Base	GY9.5

Note:

* Lamp life is strongly affected by the number of starts, operating time per start, operation wattage and the ambient temperature of the lamp

Attention: This lamp generates UV-radiation. Read the safety instructions packed with the lamp carefully. Exposure to unfiltered output can be harmful to eyes and skin. This lamp must be used with suitable operating equipment and in accordance with specified data. Due to the high operating pressure inside the lamp, the possibility exists that in extreme circumstances the lamp might shatter.

Specifications subject to change without notice or obligation