

INSTRUCTIONS: TracFX Compact Fluorescent Wall Wash Track Heads

Models: TF-218LB , TF-218LW

- Read all instructions before installing.
- For use with Wildfire "L" series track system only.
- Disconnect power before installing or re-lamping.

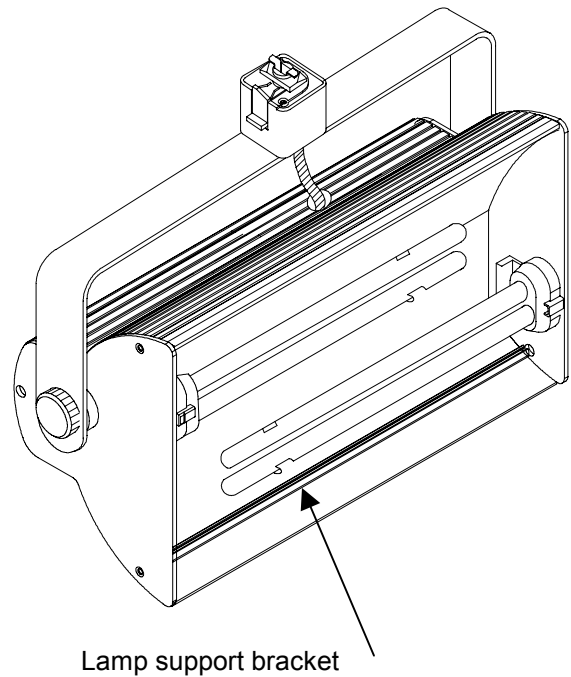
Overview: Fixtures are designed for use on Wildfire "L" series track. They may also be used on other manufacturers brand of track (consult factory for compatibility). All fixtures come with self contained ballasts rated for use with 120 volt. They are supplied without lamps.

Louvers (sold separately) help to reduce glare from the viewer's perspective.

Installing lamp:

For maximum performance use only Wildfire SableLux Lamps

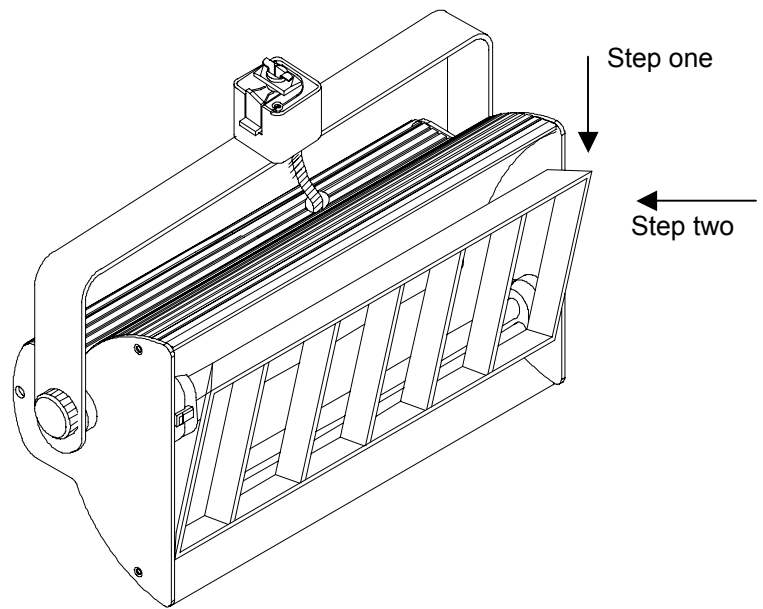
1. Gently pivot the lamp tubes into the arms of the support.
2. Align the lamp pins with the holes in the socket. Hold lamp from the base and slide into the socket.
3. Removal is the reverse procedure.



Installing Louver:

The louver has a raised profile on both the top and bottom edges. It is press fit into the face of the fixture.

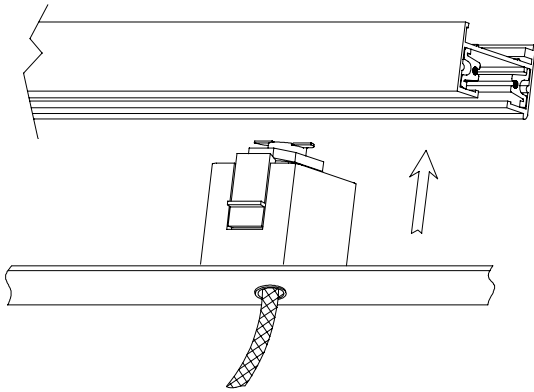
1. Install louver on a firm surface prior to installing in track.
Set one edge into fixture.
2. Press down hard while inserting the other edge.



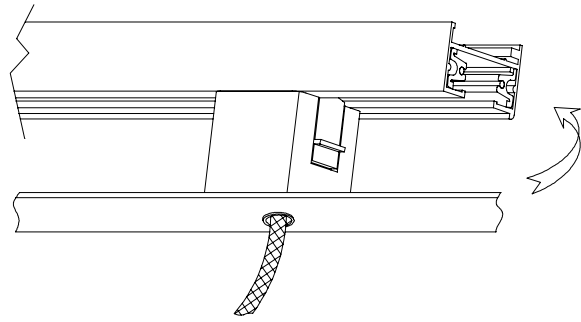
Installing on Track:

1. Note: the track has a polarity ridge running along one side.
2. Note the slant of the locking tab.
3. Insert track adapter into track channel and rotate it 90° so that the low side of the locking tab faces the ridged side of the track.

The TF-218LB & TF-218LW models are supported by two adapters. When using on existing tracks, make sure track has adequate support for the increased weight of the fixtures.



Step one

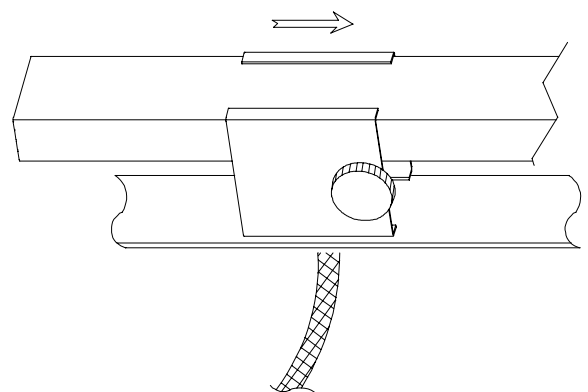
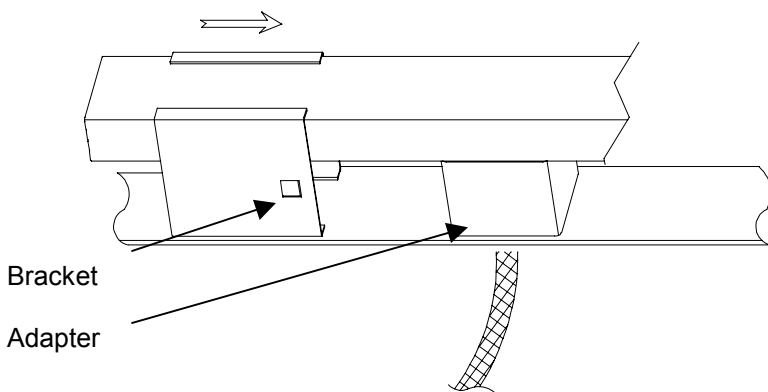


Step two

To Install Support Bracket:

Each fixture is supplied with one support bracket.

1. The "U" shaped bracket encases the track adapter ensuring that it can not rotate out of position.
2. Once the fixture is mounted to track, the bracket may be slid on from the end of track, or it may be flexed enough to go over the track at mid point.
3. Position the bracket so the top edges rest on the track and the open end of the bracket faces the track adapter.
4. Slide the bracket over the adapter until there is sufficient clearance for the screw hole.
5. Install screw and thumb knob and tighten.



Retain Instructions for future reference.